



80W Luminaria Solar

Modelo No. BLSMX-80W

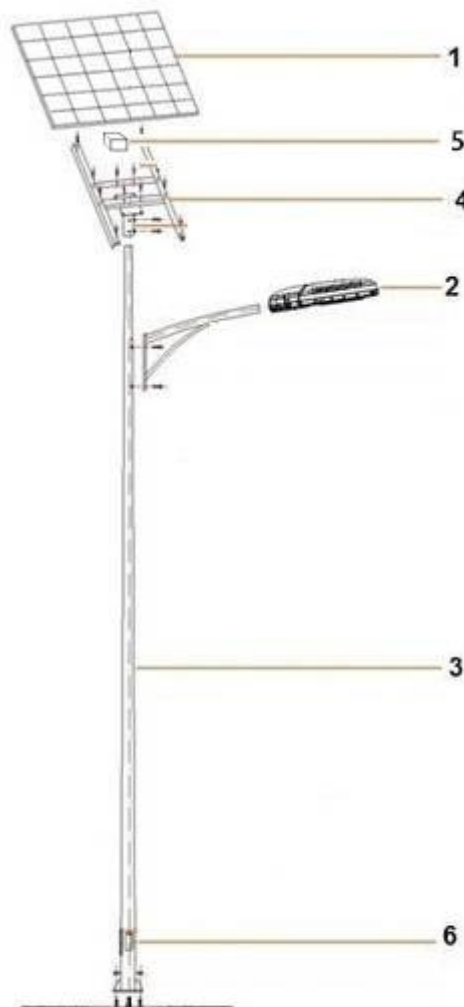
ESPECIFICACIONES



Características Generales

Configuración

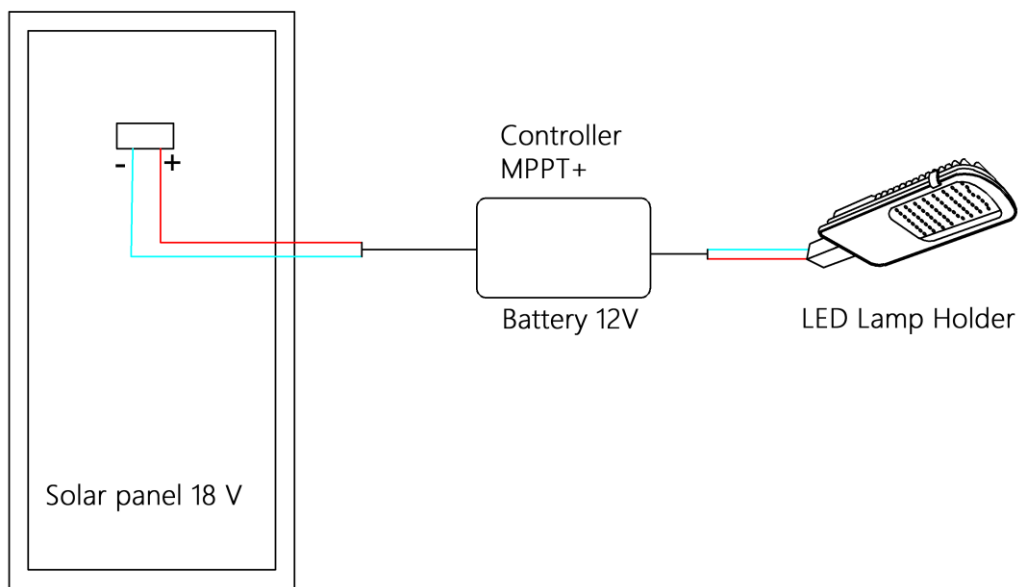
Nombre del componente	Especificaciones and Remarks	Vida Útil	Unidad
1. Panel Solar	100W/18V, Mono solar panel, >18%Efficiency.	>25 años	1 pc
2. Luminaria LED	80W/12V, Epistar, >130LM/W, 5700K-6200K, IP66	>50,000 horas	1 pc
			1 pc
4. Bracket del Panel Solar	Detachable, Q235 Steel, Hot dip galvanized, Powder coating, Rust Proof.>160km/h	> 20 años	1pc
5. Controlador & Batería de Litio	10A, Automatic Light and Time Control, LED driver function integrated. Double MPPT newest patent technology	5 años	1pc
	40Ah 12V lithium batter, Maintenance free		1 pc



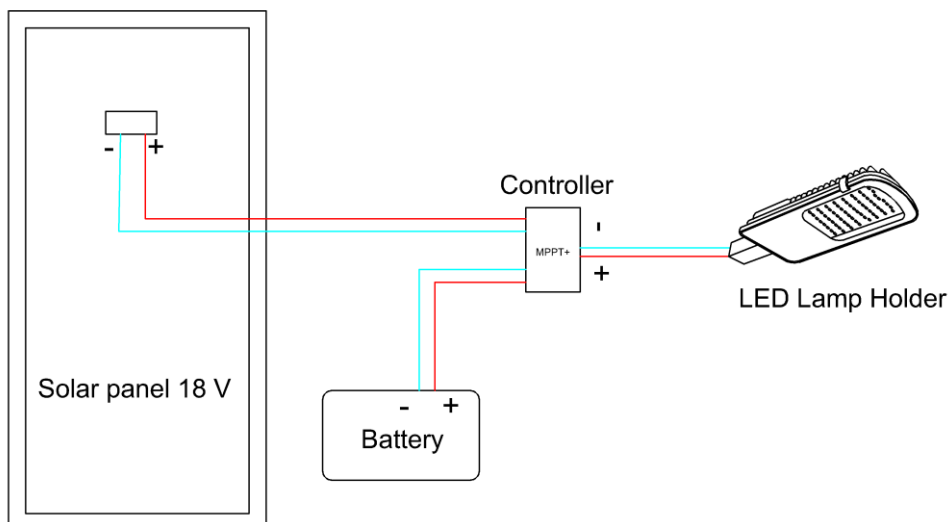
Especificación General del Sistema

Tiempo de Trabajo	12 hours per night. 100% START AND 8-10% DIMMING AND >20% in morning
Días de Autonomía	365 días toda la noche
Temperatura de Trabajo	-15- 60°C Working Temperature
Certificaciones	CE, ISO9001,SGS,ROHS,BV

Controlador Interno



Controlador Exterior



2. LUMINARIA LED (80W)



Technical Parameters

Lamp Power	80W
Input Voltage	DC 12V
LED Chip	Epistar
Lamp Efficiency	120 lm/W-130lm/w
Luminous Flux	13000-14000lumens
CRI	>70
Power Factor	95%
Color Temperature	5700k-6200K
Beam Angle	120°*70°
Life Span	>50, 000 hours
IP Rate	IP65
Working Temperature	-15°C~ 60°C
Working Humidity	10%~90%RH
Lamp Fixture	High-Pressure Die-Casting Aluminum. Corrosion Resistant

INTENSITY DISTRIBUTION DIAGRAM MAX

Lamp Arm Adaptor

Diameter 60mm, built fixture

Bateria de Litio

